

The Colonial Woodcutter

The Newsletter of the Annapolis Woodworkers Guild

Meeting 7:00 PM September 12th, Davidsonville United Methodist Church

September Meeting Speaker
Puppeteer Don Becker



September 2024

Contents

September 2024 President's Message	3
September Monthly Meeting	3
September Speaker.....	4
September Raffle Items.....	4
The Guild's 2024 Christmas Dinner	4
August Meeting.....	5
Woodworking Classes Available	6
Online Mastery Program	6
Setting Up Shop	7
Special Note on Pricing.....	7
Tip of the Month.....	8
AWG Member Mentors	9
AWG Officers	10
AWG's Supporting Vendors	11

Newsletter Submissions

If you have new projects, tools or fixtures that may interest to others, or if you have found a wood related news story, please share them with the Guild. Send a description, with pictures if possible, for inclusion in the Colonial Woodcutter to the editor, Duncan Adams at duncanladams@gmail.com. Items submitted by the first Thursday of the month will be published.

Many thanks to those who contributed to this month's issue.

September 2024 President's Message

Dear fellow members,

I recently made a trip to St. Louis to visit my son, daughter in law, granddaughter, and oh yeah, my wife! My wife, Genna is spending most of her days there helping to babysit Ellie after the kids experienced the sticker shock of daycare these days. Two thousand bucks a month equals a call home to mom! So along with some projects I got to do with my son, there was plenty of time to go gaga over the little one.

It made me think of the lessons we learned as little kids, and those we've taught our kids and grandkids. The one I'm thinking of is Sharing. "Don't forget to share your cookies, don't forget to share..." I think that is really what our guild is about. Sharing.

Sharing our knowledge and experiences in our enjoyment/love of our craft, woodworking. Sharing our mistakes so others don't have to make them, sharing our insights so others benefit. The inspirations we get from our speakers. Show and Tell. Hey, if I can stand up there and show off the useful if pathetically executed sanding disc storage block, I'm SURE that each of you have something you've created that is interesting to show off! Please share with us.

Jim



September Monthly Meeting

Thursday, September 12th, 2024, 7:00PM

Davidsonville United Methodist Church

819 W Central Ave, Davidsonville, MD 21035

Please join us for our monthly meeting of the Guild. Please consider contributing to the "show-n-tell." If you have an item you wish to show bring it to any meeting, leave it on the front table. There you will find a sign up clip board. Please write your name and description of the item. When your turn comes describe your project including wood species, finish, special techniques you used and any unusual problem you had to solve.

If you want to show off a project that is too large to bring to the meeting you have the option of showing your work via video or pictures. If you want to present a video or pictures at the meeting contact Chris Desautels before the meeting date at: Christopher.desautels@gmail.com or 301-332-8490.

September Speaker Don Becker

This month's speaker is Don Becker, maker of dolls, puppets and automata. His whimsical and imaginative range from tiny mechanisms to massive chain saw sculptures. He is an artist living in Bethesda, MD. Starting out as a puppeteer, he has worked with wood in various different ways. Building automata and chainsaw carving are the more recent wood projects.



September Raffle Items

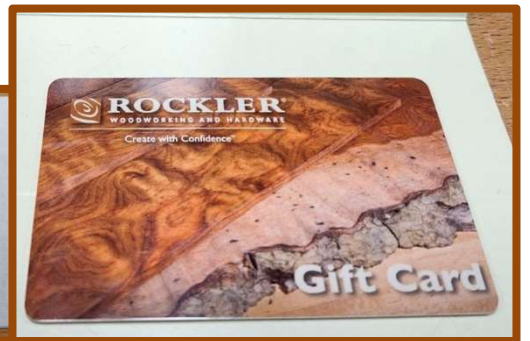
At the September meeting members will have the chance to win these fine items.



Increase wheel kit
and Rockler hat



Keystone 4" sanding star



Rockler \$50 gift card

The Guild's 2024 Christmas Dinner

In accordance with tradition the December Guild meeting will be the annual Christmas dinner. The event will be Thursday December 12th at the Annapolis Elks Lodge, 2 Pythian Drive, Edgewater. Tickets are \$50 per person and must be purchased by November 28th.



August Meeting



The August meeting featured the annual Guild tools swap. Lots of members' trash became other members' treasures.



Woodworking Classes Available

Gary Rogowski, Master Woodworker



Online Mastery Program

The Online Mastery Program trains students to design and build hand made furniture in an online class format. Applicants must work to a schedule and on project deadlines while building out of their own shop. All classes, videos, and critiques are given on Zoom. The OMP runs for a two year period starting in October each year. We are currently accepting applications for the start of a new OMP group in 2024.

There are three eight week terms per year. Students design and build a total of 11 pieces over the two year period as they develop a signature style of their own. The goal is to produce work that would meet gallery standards. Projects have been chosen to teach certain methods, techniques, and approaches while at the same time allowing each student room to explore his or her own style. Folks will need a camera in their shop at the bench and an Ethernet hook up or good Wi-Fi signal in order to participate.

Please take a look at the work of our OMP graduates at

<https://northwestwoodworking.com/online-mastery-gallery-page/>

To request a prospectus please go to:

<https://northwestwoodworking.com/online-mastery/>

Notes from former students:

Matt Lynch, Wichita, KS

I am not sure I have the words to adequately express my thanks to you for these last years. When I started this journey I had no idea where the course would take me and my creative mind. You gave us the tools to develop our creative side and begin to become designers and dare I say Artists. Thank you for giving so much of yourself to this process and all of us.

Michael Kemling, Atlanta, GA

On a slightly different note, I want to thank you. Thank you for your knowledge, your time, your patience, and the opportunity to learn from you. You are one of the best teachers I know. I look forward to taking more classes from you in the future. All the best, Michael

Mike Lecky, Ontario, CA

Thank you Gary for sharing your knowledge and experiences. The learning of the past 18 months has been very high. Perhaps the areas I've benefited the most are: concept to design; visioning skills; modeling; prototypes; tool skill; shop techniques; assembly work. I'm so much better at problem solving, thinking the build process through and optimizing steps.

Setting Up Shop

The Setting Up Shop Video series offers 12 Saturday lectures on the design and use of your shop. Whether you're about to set one up or need to tune what's there, this class will give you valuable information on lay-out of tools, machines, benches, sharpening station and flow. Videos will cover hand and power tools that are must have and how to tune them. Projects will show how to make valuable shop tools like push sticks, lumber stickers, curved tool racks, and file handles. There will also be chats on techniques like how to tune and use a block plane, spoke shave, and an important discussion on sharpening. Cost for the 12 week course is \$495.

Some student comments from this past year's series:

Clough Shelton, WA

Gary, I want to thank you for such a great experience from your class. I learned a huge amount from you and also enjoyed your stories and anecdotes.

Andy Rudin, D.C.

Gary, I just wanted to share how much I got out of the sessions, which will prove invaluable to me as I begin to set up my shop space. Your class has helped me organize my own thinking on how my space should be laid out along with many woodworking 'best practices' and hacks that I did not know previously.

J. Morgan Grove, Baltimore, MD

Hi Gary, You asked for feedback to the class. I would like to express how much I have enjoyed the class: both how to set up a shop and how to operate in it.

Information on both classes can be found at:

<https://NorthwestWoodworking.com>

Email: studio@NorthwestWoodworking.com

Special Note on Pricing

Gary Rogowski offers the following discounts

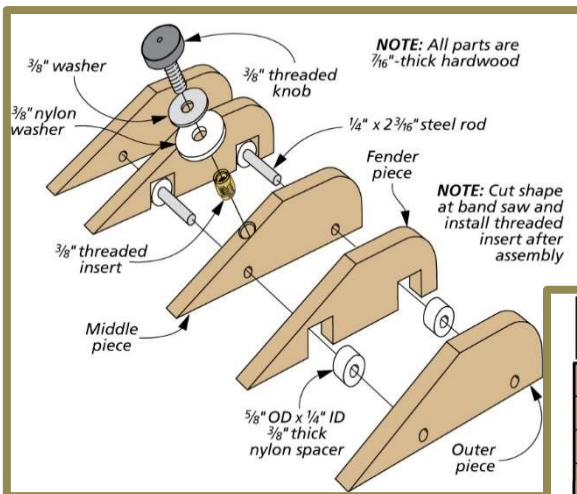
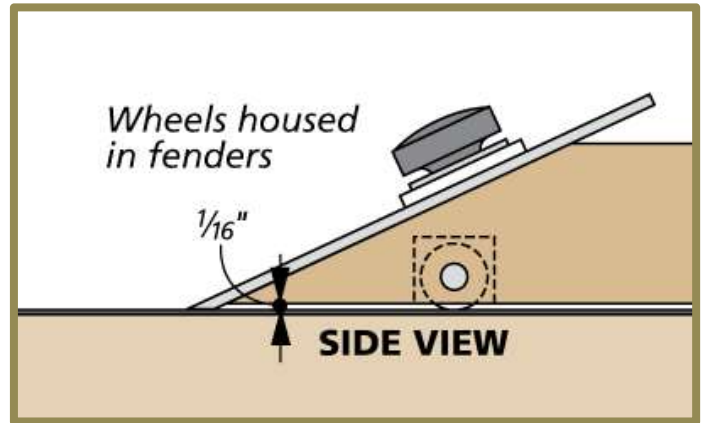
- For the Setting Up Shop Series students get a \$100 discount if they sign up before September 15th -- \$495 instead of \$595 for the 12 week course.
- For the Online Mastery Program those students who pay for the full two years in advance get a \$850 discount (that's 10% off.)
- Members of the Annapolis Woodworkers Guild get a 10% discount in addition to the discounts above.

Tip of the Month

Simple Blade Sharpening Jig

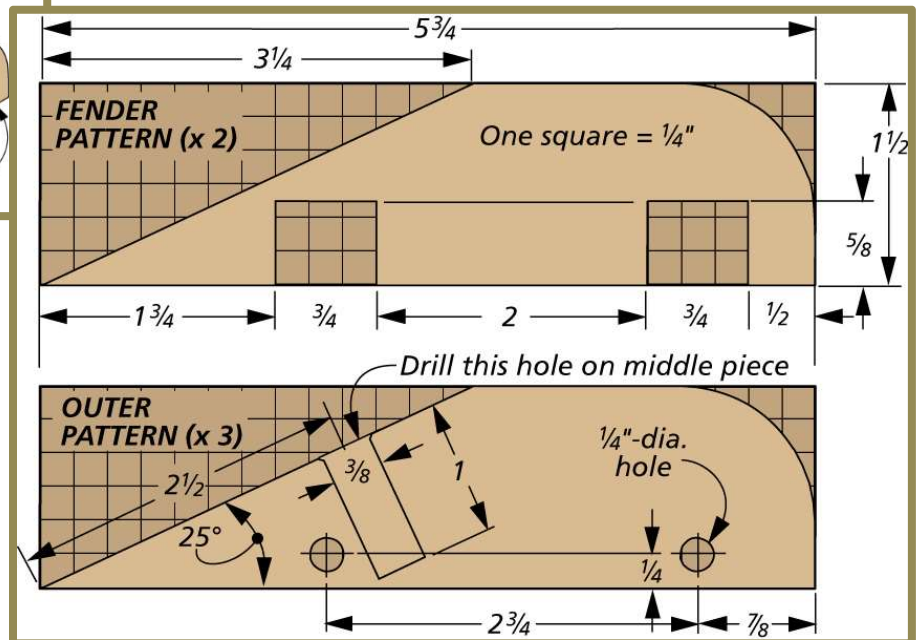
By: Erich Lage

Here's an accurate way to keep those over-sized plane irons sharp. Some plane blades are too wide to sharpen with my honing guide. Instead, I use the shop-made guide you see above.



It's made from a glued-up wood block cut at an angle to match the bevel of the plane blade. Two inner pieces are notched to house nylon wheels, while a knob and washers on top hold the plane blade in place.

Some plane blades are too wide to sharpen with my honing guide. Instead, I use the shop-made guide you see above. Loosen the knob and adjust the blade to maintain contact with the surface if needed.



This month's tip is reproduced with the permission of Woodsmith Magazine.

AWG Member Mentors

Want to learn a new skill? AWG has many member-mentors to help you. See the list below to contact one.

Have a vexing woodworking problem? There may be many other members with the same situation. AWG has a “problem box” where you can anonymously place your problem or question for discussion and possible solutions at the next meeting. You will find the box at a table near the meeting hall entrance door (when we are back in session at the church). Until then send your problems to the editor, President, or other AWG officer.

Last Name	First Name	Phone	E-mail	Mentor Subject
Ames	Don	410-268-0509	dfames@verizon.net	Use and maintenance of Edge Tools (planes, chisels, scrapers)
Arndt	Michael	410-960-3239	MarylandWoodPro@gmail.com	General wood finishing & finish restoration/repair
Ashby	Bob	410-969-2910	toolsrus58@comcast.net	Shapers, router tables and tooling for same
Carbin	Bill	410-647-0393	carbinwilliamj@yahoo.com	Box making
Chavez	Harry	410-863-5940	harry.chavez@gmail.com	Intarsia
Dodson	Paul	410-984-8488	pdwoodcrafts@verizon.net	Scroll saws and scrolling
Harvey	Dennis	240-463-4641	denharv@aol.com	Pen making
Hirrlinger	Jack	410-798-1339	tjhirr@verizon.net	Toys, tricks and puzzles
Luck	Jim	410-647-6622	jfl639@verizon.net	Inlay and shaker boxes
McDonald	Chris	410-326-1685	cmcdonald@thewavaz.com	Cabinets

AWG Officers

(June 2024 —May 2025 Term)

President – James Cowan
1st Vice President – Ann Sentinella
2nd Vice President – Carl Wick
Secretary – Jim Menefee
Co-Treasurers – Vince Antonioli and
Rodger Young
Tour Coordinator – Open
Program Committee – Brian Parker, Sue
Springett, Bob Ashby, Art Mensch
and Carl Wick
Newsletter Editor – Duncan Adams

Historian - Open
Endowment Coordinator – Bill Carbin
Entertainment Coordinator – Paul Dodson
Out Reach – Candy Van Iderstine
Show & Tell Coordinator – Bill Carbin
Special Projects Coordinator – Open
Membership Chairperson – Tom Dettweiler
Charity Coordinator—Andy Borland
Webmaster— Tyler Quevedo
Education Chair—Rick Hodgdon

MEMBERSHIP and MEETINGS

Membership is open to all interested Woodworkers.

Annual Dues: Current members renew dues in January at \$50.

New members added during the course of the calendar year will be assessed dues that are a pro-rata portion of the remainder of the full calendar year during the month joined.

General Membership Meetings:

2nd Thursday of each month 7 PM
Davidsonville United Methodist Church
819 W Central Ave, Davidsonville, MD 21035

Executive Board Meetings:

4th Thursday of the Month at 7 PM
By phone/video until further notice
All are welcome at board meetings
Contact a board member for invitation

CONTACT INFORMATION

Correspondence:

Annapolis Woodworkers Guild
P.O. Box 6001
Annapolis, MD 21401

Website:

Annapoliswoodworkers.org

AWG's Supporting Vendors



Exotic Lumber Company

1610 Whitehall Road, Annapolis, MD 21409
410-349-1705 WWW.Exoticlumber.com



Rockler Woodworking & Hardware

12975 Fair Lakes Shopping Center Ste 2975
Fairfax, VA 22033
571-435-8030
<https://www.rockler.com/retail/stores/va/fairfax-store>



Somerset Door and Column Company

174 Sagamore Street, Somerset, PA 15501
800-242-7916 WWW.Doorandcolumn.com



Klingspor

2555 Tate Boulevard Southeast, Hickory, NC 28603
800-645-5555 WWW.Klingspor.com



American Woodcrafters Supply

212 East Main, Box G, Riceville, IA 50466
800-995-4032 WWW.Americanwoodcrafterssupply.com



Bruso Hardware LLC
67-69 Greylock Avenue
Belleville, NJ 07109
212-337-8510 WWW.Brusso.com



Lake Erie Toolworks
1234 Irwin Drive, Erie, PA 16505
815-528-4337
WWW.LakeErieToolworks.com/Pages/Club
10% Online Discount Code: **AWG10**



Würth Wood Group
6660 Santa Barbara Road
Elkridge, MD 21075
410-796-7600
WWW.Wurthwoodgroup.com



Hartville Tools
Hartville, OH
800-345-2396
WWW.Hartvilletool.com

MARYLAND SELECT HARDWOODS
7470 Mason Springs Road, La Plata, Maryland
301-743-2225 Dennis.Woodruffi@gmail.com

Timberline Farms Sawmill
Arnold Sewell, owner/operator
13000 Old Frederick Rd, Sykesville, MD
Phone (410) 707-0158